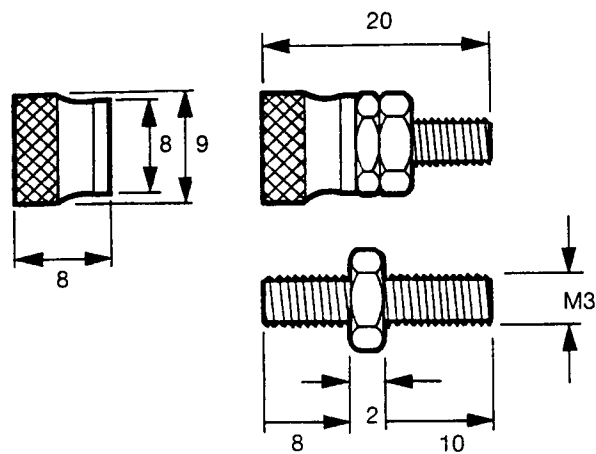
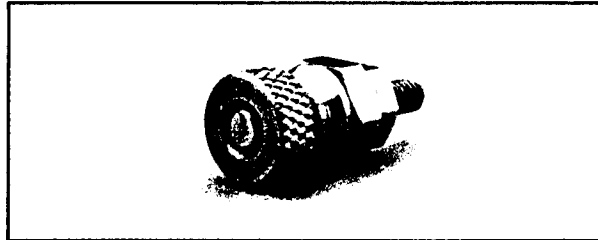


M3 Fixing Earth Post



Uninsulated earthing post. A low cost uninsulated chassis mounting earthing post. Consist of a threaded section with a captive hex nut. Knurled fixing knob is not captive to enable use with ring terminals. Nickel plated brass construction. Supplied with fixing nut.