

Metal Bodied DIN Connectors

NEUTRIK

Materials

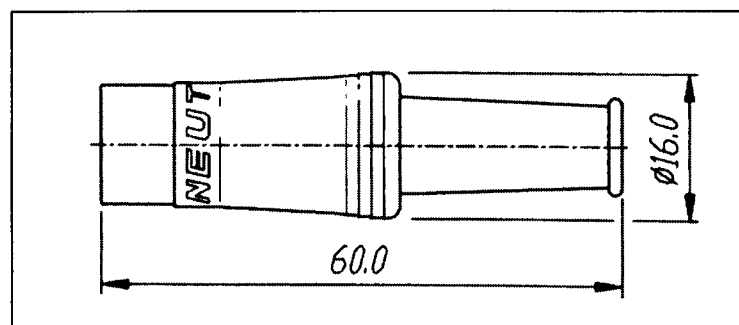
Housing/Shell : CuZn39Pb3 gal 2 μ m Ni plated
Contacts : gal 2 μ m Ag plated
Strain Relief : CRIMP type tin plated

Electrical

Contact Resistance : $\leq 10\text{m}\Omega$
Insulation Resistance : $\geq 5 \cdot 10^3 \text{M}\Omega$
Insulation Resistance after damp heat test (IEC 68-2-30) : $\geq 10^3 \text{M}\Omega$
Dielectric Strength : 500 V rms
Temperature Range : -25°C to $+70^\circ\text{C}$

Mechanical

Solderability, complies with : IEC 68-2-20



Neutrik Code	Description
NYS321	3 Pin Metal DIN Plug
NYS322	5 Pin 180° Metal DIN Plug
NYS323	7 Pin Metal DIN Plug