

Mini-Fit Family Terminal – Crimp, Female

Features & Benefits

- Crimp terminal for use in all Min-Fit Jt., BMI and TPA plug housings
- Used in 5557, 42474 and 30067 housings
- Four gas-tight points of contact

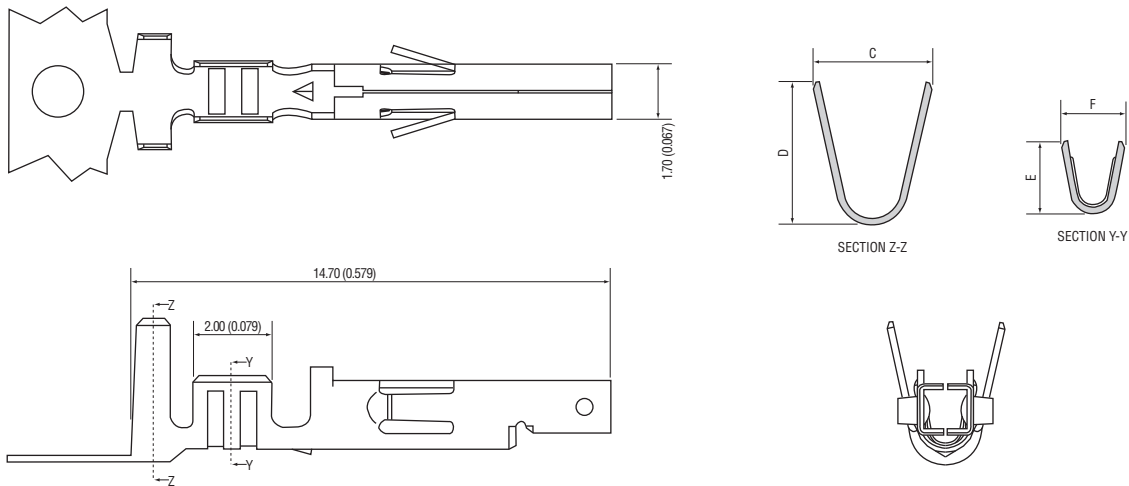
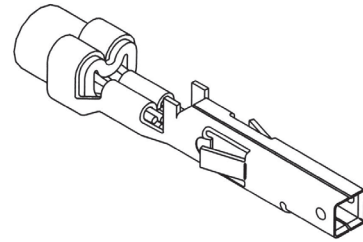
Reference information

Mates with: 5558 and 30490 crimp terminals

Physical

Contact: Brass
 Plating: Pre-plated tin over copper

Female Terminal Pins



Order code	Wire size AWG	Insulation range	Dimensions: mm (inches)			
			C	D	E	F
22-3854	16	1.80-3.10 (0.071-0.122)	3.60 (0.142)	4.50 (0.177)	1.90 (0.075)	2.30 (0.091)
22-3856	18-24	1.30-3.10 (0.051-0.122)	2.30 (0.091)	2.30 (0.091)	1.80 (0.071)	1.65 (0.065)