

3mm High Red LED

OSSR3164A

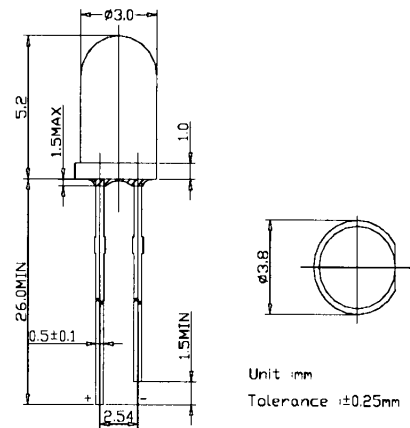
■ Features

- Red Diffused Type
- 3mm Standard Directivity
- Superior Weather-resistance

■ Applications

- Toys
- Games
- Audio
- Christmas Light

■ Outline Dimension



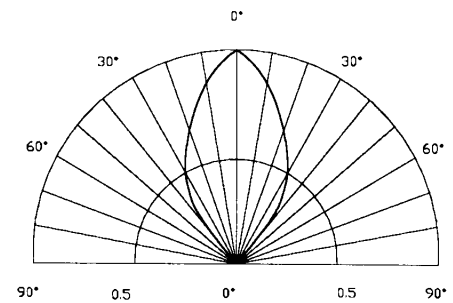
■ Absolute Maximum Rating

(Ta=25°C)

Item	Symbol	Value	Unit
DC Forward Current	I_F	30	mA
Pulse Forward Current*	I_{FP}	160	mA
Reverse Voltage	V_R	5	V
Power Dissipation	P_D	100	mW
Operating Temperature	T_{opr}	-40 ~ +95	°C
Storage Temperature	T_{stg}	-40 ~ +100	°C
Lead Soldering Temperature	T_{sol}	260°C/5sec	-

*Pulse width Max.10ms Duty ratio max 1/10

■ Directivity



■ Electrical -Optical Characteristics

(Ta=25°C)

Item	Symbol	Condition	Min	Typ	Max	Unit
DC Forward Voltage	V_F	$I_F=20\text{mA}$	-	1.7	2.6	V
DC Reverse Current	I_R	$V_R=5\text{V}$	-	-	30	μA
Domi. Wavelength	λ_D	$I_F=20\text{mA}$	-	643	-	nm
Luminous Intensity	I_v	$I_F=20\text{mA}$	-	100	-	mcd
50% Power Angle	$2\theta_{1/2}$	$I_F=20\text{mA}$	-	60	-	deg

LED & Application Technologies