

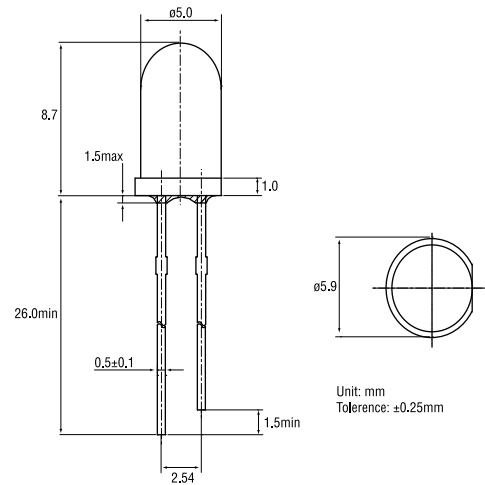
Features:

- Yellow Diffused Type
- 5mm Standard directivity
- Superior weather-resistance
- RoHS Compliant

Applications:

- Toys
- Games
- Audio
- Christmas Light

Outline dimensions:

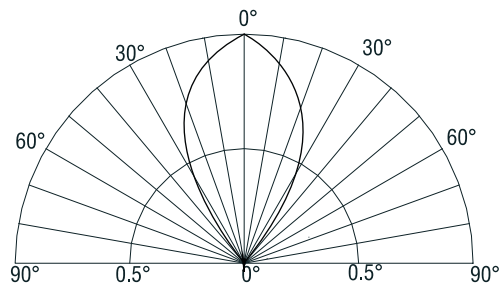


Absolute maximum rating (Ta=25°C)

Item	Symbol	Value	Unit
DC Forward current	I_F	50	mA
Pulse forward current*	I_{FP}	150	mA
Reverse voltage	V_R	5	V
Power dissipation	P_D	200	mW
Operating temperature	T_{opr}	-30~+85	°C
Storage temperature	T_{stg}	-30~+100	°C
Lead soldering temperature	T_{sol}	260°C/5sec	-

* Pulse width max. 10ms Duty ratio max 1/10

Directivity:



Electrical – Optical characteristics (Ta=25°C)

Item	Symbol	Condition	Min.	Typ.	Max.	Unit
DC Forward voltage	V_F	$I_F=20mA$	1.8	2.0	2.4	V
DC Reverse current	I_R	$V_R=5V$	-	-	30	μA
Dom. Wavelength	λ_D	$I_F=20mA$	-	590	-	nm
Luminous intensity	I_V	$I_F=20mA$	15	20	-	mcd
50% Power angle	$2\theta_{1/2}$	$I_F=20mA$	-	60	-	deg